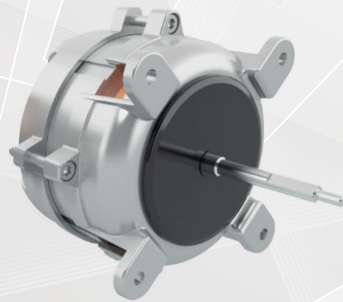
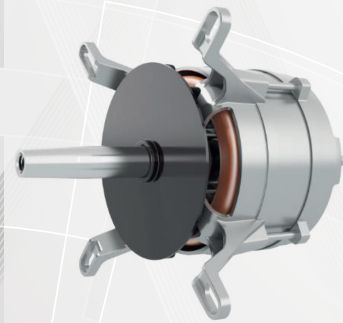


INDUSTRIAL TYPE OVEN MOTORS

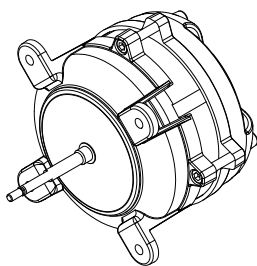
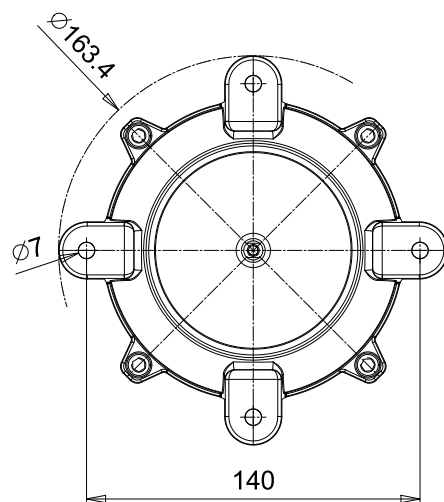
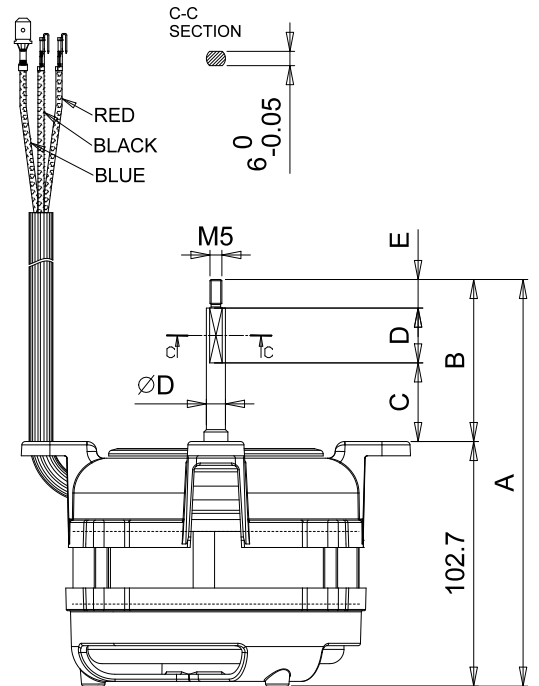


Volt electric
motors

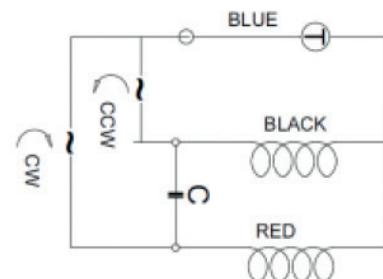
INDUSTRIAL TYPE OVEN MOTOR



80 FRAME SINGLE PHASE



CONNECTION DIAGRAM



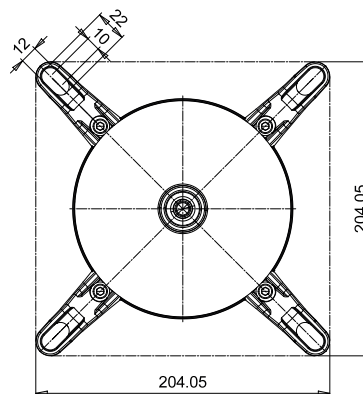
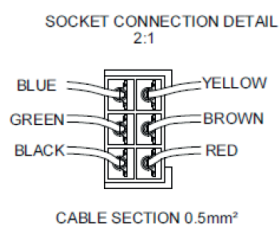
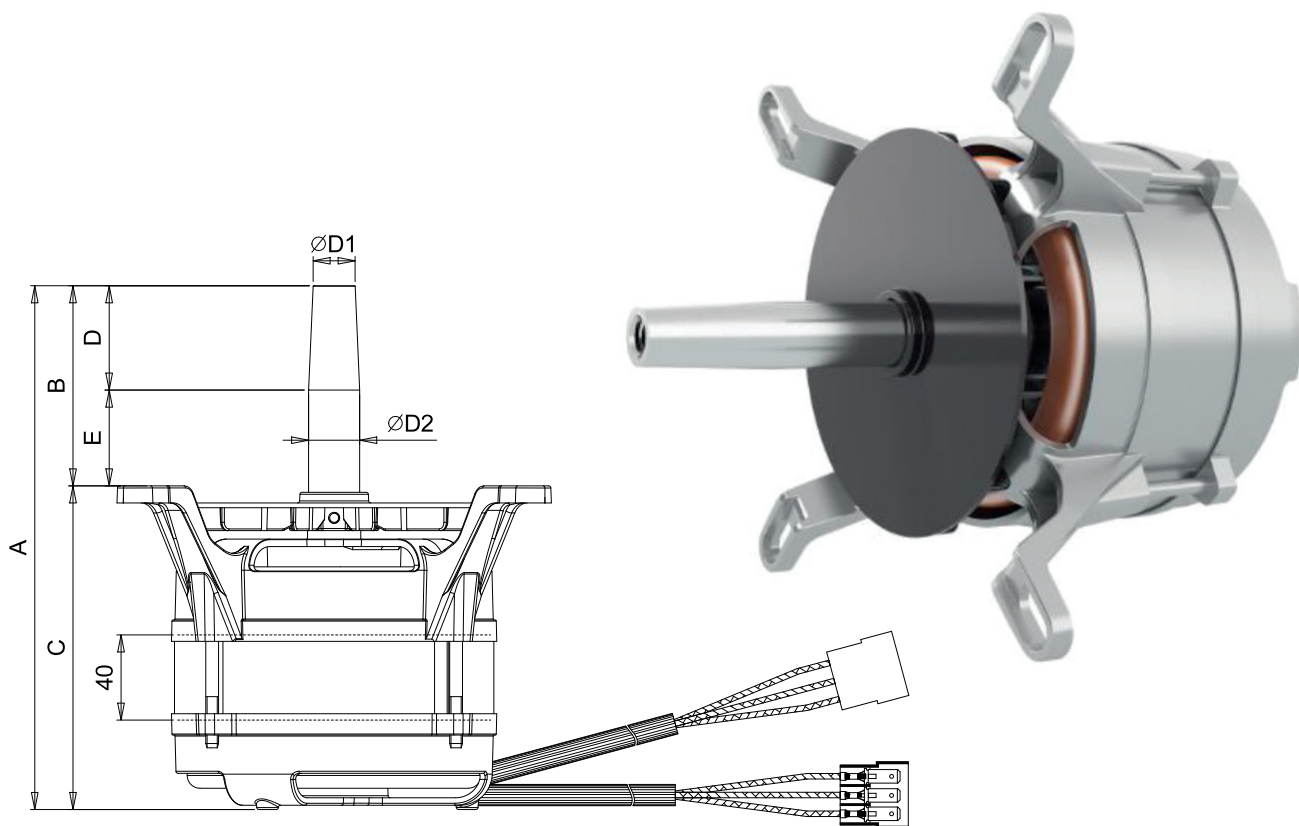
Monofaze Standard Power Ratings; 0,12kW – 2P

Frame	A	B	C	D	E	ØD
80	170,2	68	33	23	12	8

INDUSTRIAL TYPE OVEN MOTOR



100 FRAME SINGLE PHASE



**Trifaze Standard Power Ratings; 0,15kW/0,55kW – 6P/4P,
0,55kW – 2P, 0,55kW – 4P, 0,16kW – 4P**

**Monofaze Standard Power Ratings; 0,20kW – 4P,
0,25kW – 2P, 0,37kW – 4P**

Frame	A	B	C	D	E	ØD1	ØD2
100-4 Ver.1	246	94	152	49	45	19,72	24
100-4 Ver.2	220,5	68,5	152	35,5	33	13,4	16,95
100-4 Ver.3	246,5	94,5	152	35,5	59	13,4	16,95
100-4 Ver.4	290,2	140,4	149,8	22	118,4	13,4	17
100-4 Ver.5	252,5	100,5	152	35	65,5	13,4	16,95
100-4 Ver.6	199,8	48	151,8	31,5	16,5	14	17,9
100-4 Ver.7	199,8	48	151,8	23,5	22	14	17,6
100-4 Ver.10	220	68,5	151,5	35,5	33	13,4	16,95

INDUSTRIAL TYPE OVEN MOTORS



Volt electric
motors

Kazım Karabekir Cad. No:84 35735 Kemalpaşa-İzmir-Turkey
Tel:00-90-232-8771060 info@voltmotor.com.tr www.voltmotor.com.tr